



### Sealing Machine

Ensures that sterilized instruments remain sealed after sterilization and maintain perfect sterility during their shelf-life.



### Steam Sterilizer

Sterilizers and accessories that help dentists and their assistants to always ensure the highest levels of safety and hygiene in their practice



**Manufacturer & After service**

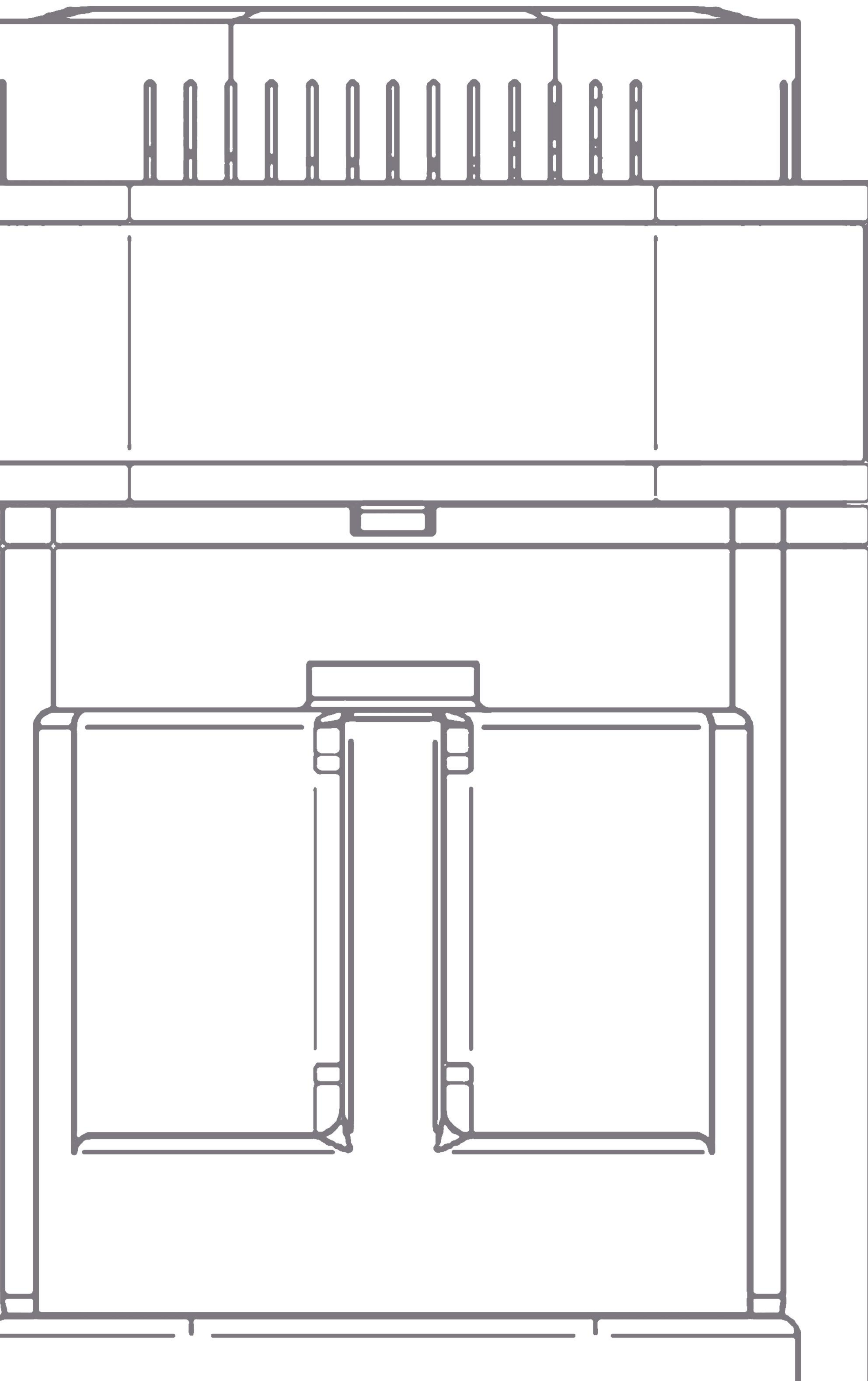
Ningbo JOIDENT Electronics Technology Co., Ltd.  
No. 111 JinGuNan Road, Yinzhou, Ningbo 315100, P.R.China

t +86-574-8732 8073    [www.joident.com](http://www.joident.com)  
f +86-574-8732 9073    [info@joident.com](mailto:info@joident.com)

According to the regulations in force, some products and/or features may have different availability and characteristics in different countries or areas. Please contact your local distributor.  
JOIDENT reserves the right to modify the products illustrated in the photos without prior notice. 2021/03







This is a very innovative water distiller that is very energy efficient, the distillation process is very quick and the water produced is at a very low temperature. The conductivity of the distilled water meets the international standard of laboratory grade I distilled water. It can be widely used at home and in beauty applications, as well as in tattooing, medical, dental, veterinary and laboratory for sterilisation purposes and instrument management solutions.

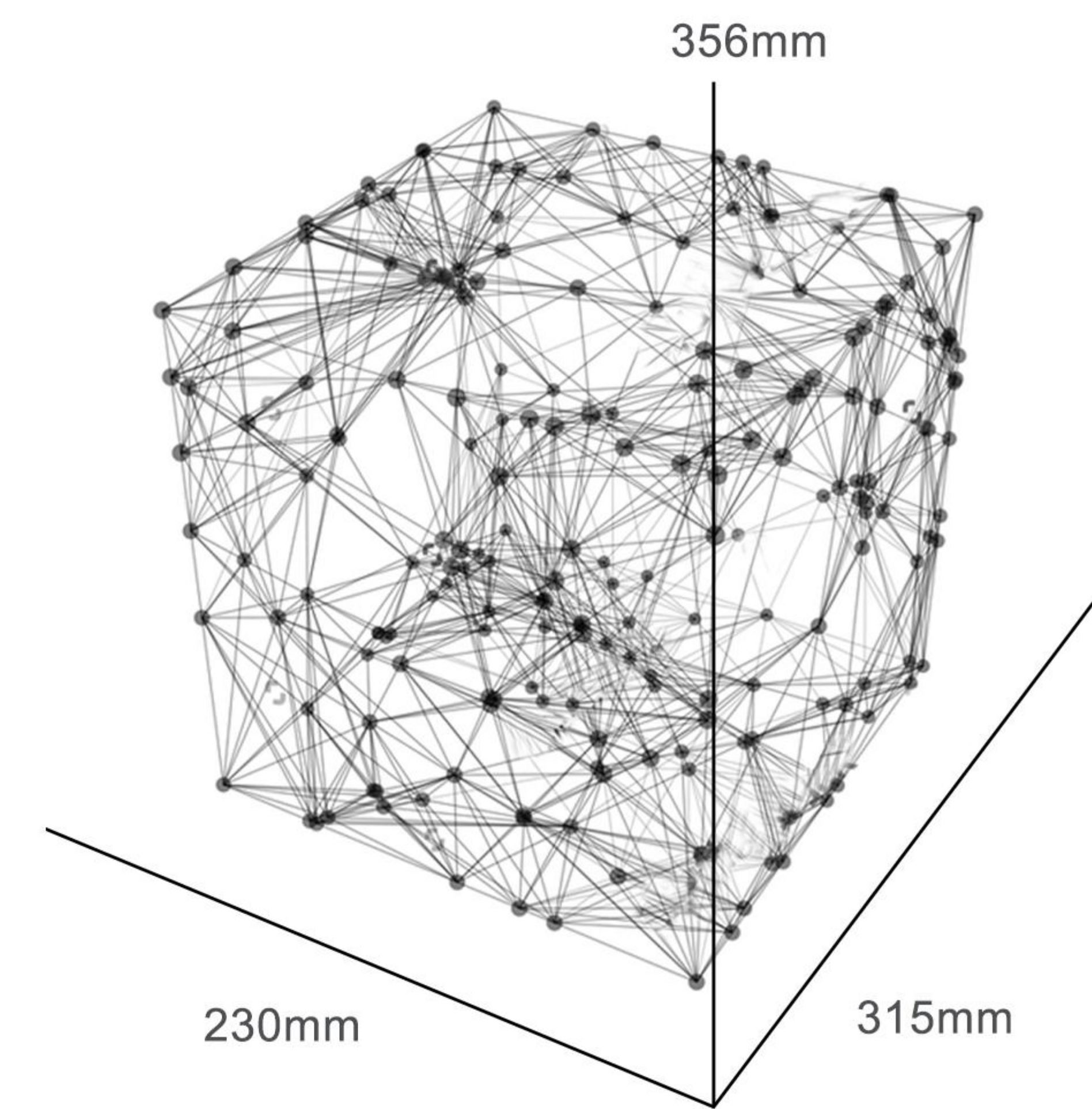
**NUMBER**

## **Water Distiller**

80+ Countries supplied  
12 months warranty  
8+ Patented technology  
700+ days Aging test

Recorded in December 2020.





# MODELING

Combining the experience of modern art and minimalist shape design, it is seamless from inside to outside. Our design size can be used for any location so that you can experience the charm of modern art.





Selected materials



One button start



Super long warranty



Patented item



Multi purpose



Intelligent control



Energy efficient



Healthy water



**COMPLETE FUNCTIONS**



# DISTILO

DELICATE, MORE THAN LIFE





# OPERATION METHOD INTRODUCTION



## STEP1

Unlock and open the top cover  
Pour 4L tap water into the inner tank

## STEP2

Close and lock the top cover  
Place water collection tank correctly

## STEP3

Turn on power switch  
Press one button to start  
The Production of distilled water automatically





3 Colour indicator  
For each stage of production



High quality Medical grade 304  
Stainless steel inner Chamber



Durable metal reset switch



Longer cooling coil for more  
Efficient condensing



Patented filter & 4L carafe

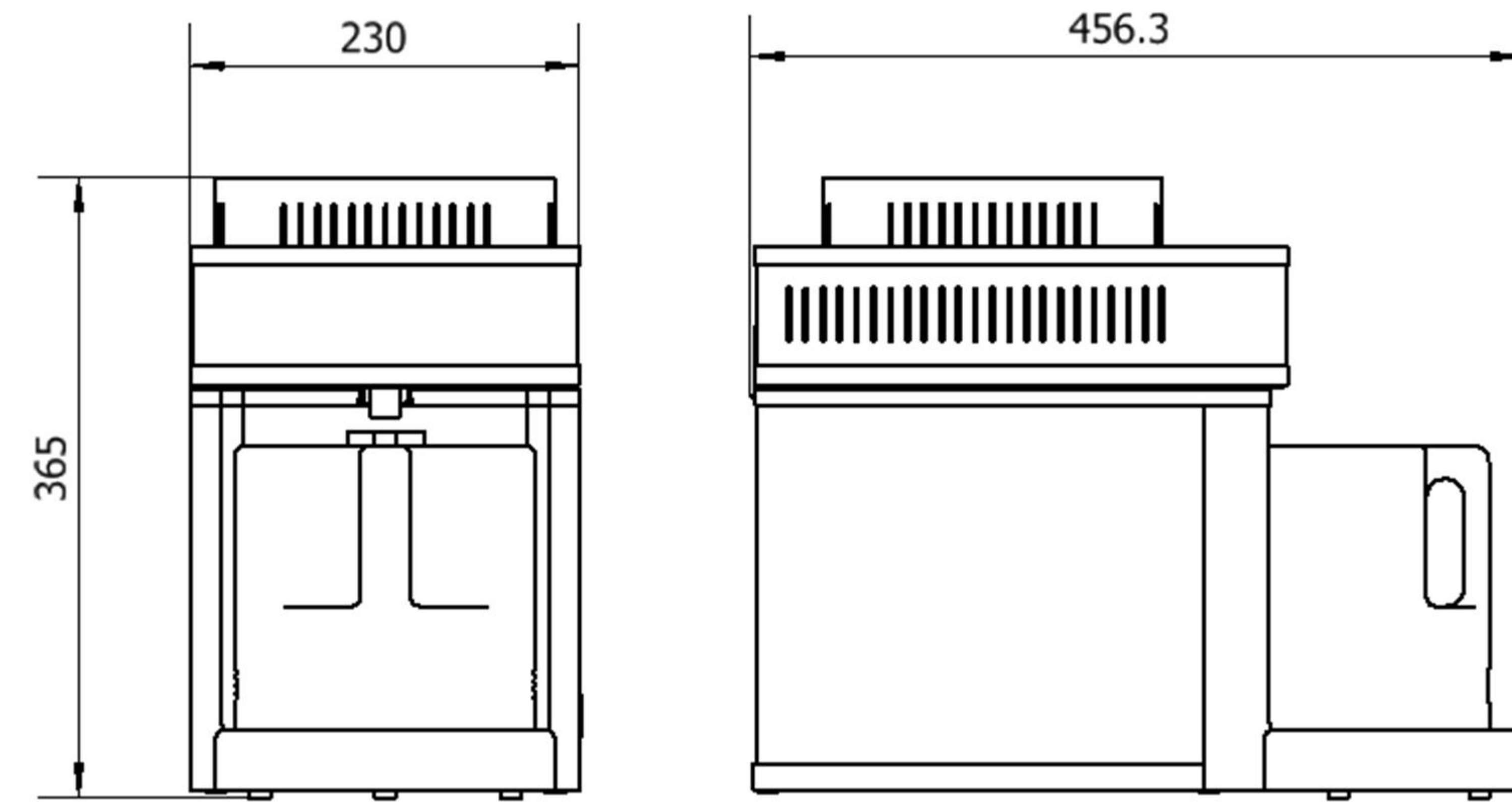


Comes with accessory pack





## Product Size



unit:mm

## Technical Data

Item No:	Distilo
Output Power:	750W
Input Power:	220V, 110V/50Hz, 60Hz
Water flow:	1.5L/H

Shell material:	Plastic, metal
Cavity size:	180*175mm
Product size:	315*230*365mm

Gross weight:	7.5KGS
Net weight:	7KGS

Carafe capacity:	4L
Chamber capacity:	4L

Fuse:	F4AL250VAC
Water temperature:	<40°C (The test environment temperature is 24 °C)
SCOPE of application:	Tap Water

## Two-color option



Fashionable Grey



JOIDENT Blue

## Conformity

Low Voltage Directive	2014/35/EU
Electromagnetic Compatibility Directive	2014/30/EU
Machinery Safety Directive	2006/42/EC
EC Test : 1.03us/cm	SGS Test Report No.: NBF20-001823-02
TDS Test: 2.0mg/L	SGS Test Report No.: NBF20-001823-06